

Figure 1

1. INTRODUCTION

CPC Series 45 Unshielded Pass-Through Receptacle Kit 1776186-1 is designed for use in harsh environments. The receptacle engages with CPC shielded or unshielded plugs.

This receptacle kit is designed for front or rear panel-mount applications.

NOTE

Instruction sheet 408-8951 provides assembly and engagement instructions for the plugs.



NOTE

Dimensions in this instruction sheet are in metric units [with U.S. customary units in brackets]. Figures are not drawn to scale.



Reasons for reissue of this instruction sheet are provided in Section 5, REVISION SUMMARY.

2. DESCRIPTION

This receptacle kit consists of the components shown in Figure 1.

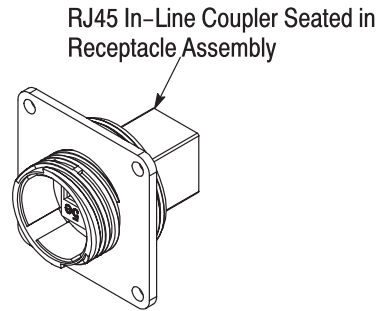
3. ASSEMBLY PROCEDURE

1. Align the locking tab of the coupler (mating face first) with the wide slot at the back (large diameter end) of the receptacle assembly. Depress the locking tab, and insert the coupler into the receptacle assembly until there is an audible "click." See Figure 2, Detail A.

2. Fit the flange seal over the mating face (small diameter end) of the receptacle assembly (for back panel mount) or the back of the receptacle assembly (for front panel mount) until it is flat against the flange. Make sure that the mounting holes align. See Figure 2, Detail B.

Assembling Receptacle Kit

Detail A



Detail B

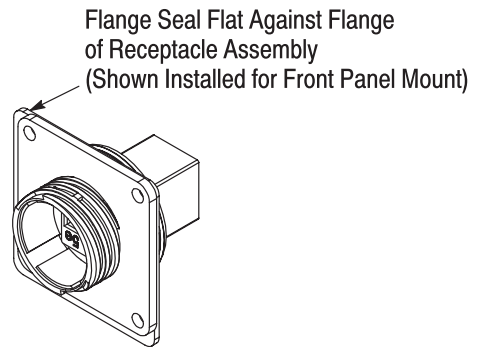


Figure 2

3. Cut the panel using the dimensions provided in Figure 3.

Recommended Panel Cutout

Maximum Panel Thickness: 3.18 mm [.125 in.]

Note: Not to Scale

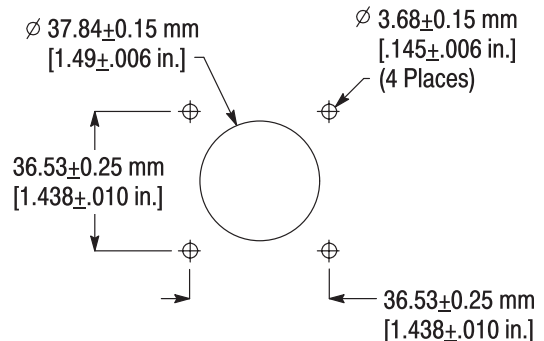


Figure 3

4. Insert the receptacle assembly into the panel until the flange seal is flat against the panel. See Figure 4.
5. Thread four No. 4 screws into the mounting holes, and tighten until secure.

Panel Mounting

Note: Front Panel Mount Shown

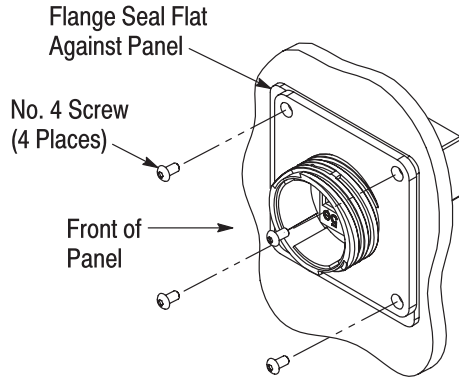


Figure 4

4. REPLACEMENT AND REPAIR

Components of the receptacle kit are not repairable. DO NOT use defective or damaged components.

5. REVISION SUMMARY

Revisions to this instruction sheet include:

- Updated document to corporate requirements